

# HYDRANT ACCESSORIES

Simplify Stocking. Maximize Compatibility.

## VERSATILE COMPATIBILITY

Built around a versatile connection system, United's hydrant accessories are engineered to fit seamlessly across a broad range of hydrant designs. One unified approach means fewer SKUs to manage, less shelf space required, and easier inventory control—without compromising performance in the field.

Explore our complete line of hydrant accessories designed to deliver that same reliability and versatility in every application.

## EXTENSION KITS

- Compatible with some 5¼" AWWA C502 dry barrel hydrants\*
- Working pressure: 250 PSI
- Temperature range: -10°C (14°F) to -80°C (-112°F)
- Sizes: 6" to 48" extensions
- Built to the same specs as leading OEMs
- Single-stock solution: One extension works across multiple hydrant brands, a streamlined inventory advantage.
- Extension kits include:
  - Cast iron standpipe and flanges
  - Stainless steel couplings and pins
  - BUNA-N gaskets and O-rings
  - Lubricant and hardware included

\*Our extension kits are designed for the UWP F06 hydrant and select 5¼" AWWA C502 dry barrel hydrants from limited manufacturers. Because specs vary by brand and model year, compatibility is not guaranteed. **Please contact us to confirm your hydrant model before ordering.**



Model F06  
Dry Barrel Fire Hydrant



Hydrant Extension Kit

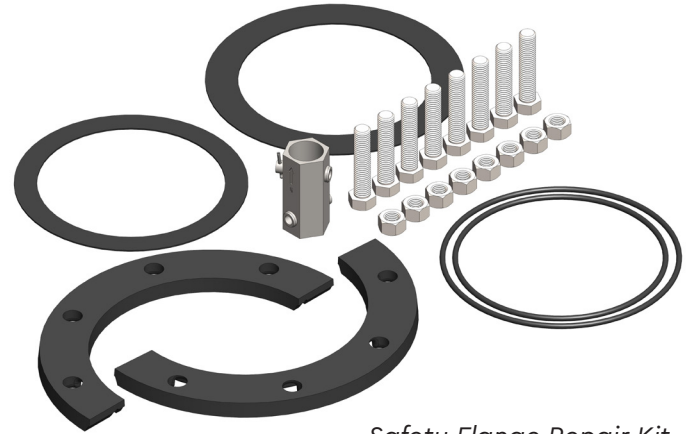
# HYDRANT ACCESSORIES

Simplify Stocking. Maximize Compatibility.

## MAINTENANCE & REPAIR KITS

Maintain peak performance with kits engineered for durability and ease of service:

- **Safety Flange Repair Kits:** restores breakaway integrity
- **Main Valve & Shoe Repair Kits:** include all key replacement parts—from O-rings to valve plates—ensuring smooth operation and extended hydrant life.
- **Tools & Wrenches:** fully compatible with United, Mueller®, and Clow® hydrants



*Safety Flange Repair Kit*

## WHY UNITED

**Universal Fit:** compatible across major brands

**Simplified Stocking:** one kit fits multiple hydrants

**U.S.-Based Support:** technical guidance and part verification

**Proven Quality:** AWWA-compliant, field-tested components

[View Our Catalog](#)



[Request A Quote](#)

