

UNITED

RESILIENT SEAT

GATE VALVES

AWWA C515-09

300 PSI

SERIES A

MODELS 2010 & 2010-PIV



APPROVED



LISTED



WATER QUALITY
NSF/ANSI 61
NSF/ANSI 372



MJ x MJ
MJ x Flange
MJ x Tapping Valve
Flange x Flange

AWWA C515-09 Resilient Seat GATE VALVES

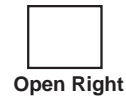
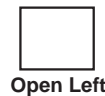
Model 2010-Series A Non Rising Stem



MATERIAL LIST

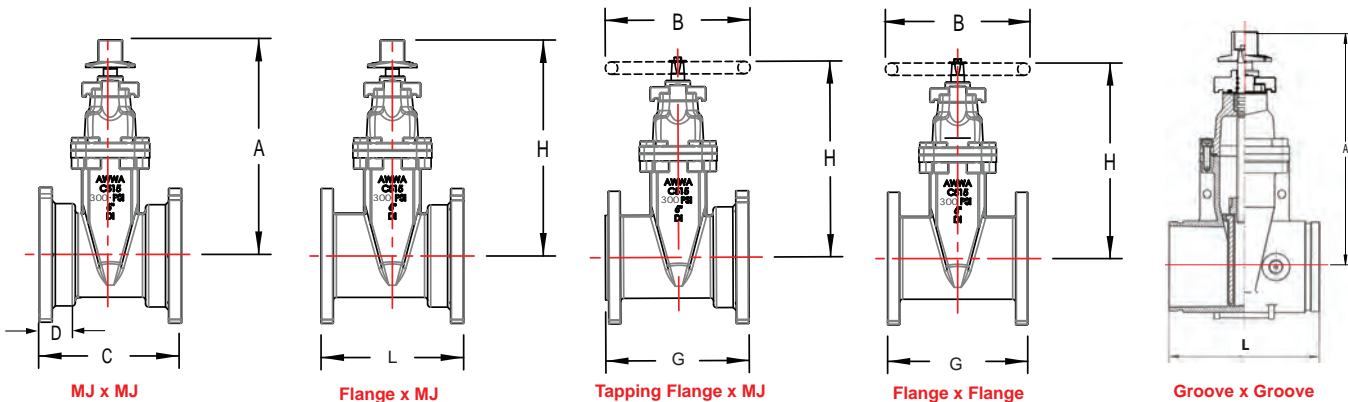
DESCRIPTION	MATERIAL
Hex Bolt	304 Stn. Stl.
Washer	304 Stn. Stl.
Dirt Seal	EPDM
O-Ring (Bonnet Cap, Stem)	EPDM
O-Ring (Bonnet Cap, Bonnet)	EPDM
O-Ring (Stem)	EPDM
O-Ring (Bonnet to Body)	EPDM
Gate	EPDM Encapsulated DI
Operating Nut	Ductile Iron ASTM A536 65-45-12
Stem (2"~12")	AISI 420, 304, 316
Stem (14"~24")	AISI 431, 304, 316
Bonnet Cap	Ductile Iron ASTM A536 65-45-12
Split Ring (Stem)	Bronze C67400
Bonnet	Ductile Iron ASTM A536 65-45-12
Body	Ductile Iron ASTM A536 65-45-12
Bonnet Bolts	304 Stn. Stl.
Gate (Stem) Nut	Bronze C67400
Debris Cap	Plastic

Design and materials are subject to change without notice.



- Available:**
 MJ x Flange
 Flange x Flange
 Flange x Flange w/Metric Raised Face
 MJ x MJ
 MJ X Tapping Flange

- Description:**
- Conforms to AWWA C515-09, MSS-SP-70
 - MJ dimensions conform to AWWA C153.
 - Flange drilling to ANSI 125/150. Metric PN10/PN16 drilling is available upon request.
 - Fusion Bond Epoxy Coated Interior and Exterior to AWWA C550 Standard. NSF-61 Certified.
 - 2" Square Operating Nut provided. Color coded black. (open right valves provided with RED operating nuts).
 - Compatible with all industry standard Vertical Indicator Posts (NFPA 24).
 - Working Pressure:
 UL/FM rated working pressure: 2-1/2"~12" - 300 psi
 UL/FM rated working pressure: 14"~16" - 250 psi
 UL rated working pressure: 18" - 250 psi
 UL rated working pressure: 20" & 24" - 200 psi
 FM rated working pressure: 18"~24" - 200 psi
 - Temperature: -23°C (-10°F) to 110°C (230°F)
 - Spur/Bevel Gear Operators are available for sizes 14"~24"



DIMENSIONAL DATA

Dimensions in inches

Size	Part No. (MJ x MJ)	A	C	D	Part No. (Flange x MJ)	L	H	Part No. (Tapping)	G	H	Part No. (Flange x Flange)	G	H	Part No. (Groove x Groove)	A	L	Turns to Open	B Handwheel Ø
2"	2010MM-120-A	10.40	9.25	2.5	2010FM-120-A	8.13	10.40	2010TM-120-A	7.0	9.50	2010FF-120-A	7.0	9.50	2010GG-120-A	11.00	7.0	6.5	7
2-1/2"	2010MM-125-A	11	9.25	2.5	2010FM-125-A	8.13	11	-	-	-	2010FF-125-A	7.5	10.00	2010GG-125-A	11.00	7.5	8.5	7
3"	2010MM-130-A	11.8	9.5	2.5	2010FM-130-A	8.74	11.8	2010TM-130-A	8.0	11.00	2010FF-130-A	8.0	11.00	2010GG-130-A	12.00	8.0	10.5	10
4"	2010MM-140-A	13.8	10	2.5	2010FM-140-A	9.50	13.8	2010TM-140-A	9.0	13.00	2010FF-140-A	9.0	13.00	2010GG-140-A	12.76	9.0	14	10
5"	-	-	-	-	-	-	-	-	-	-	2010FF-150-A	10.0	15.50	2010GG-150-A	15.50	10.0	16	12
6"	2010MM-160-A	17.9	11.5	2.5	2010FM-160-A	11.00	17.9	2010TM-160-A	10.5	17.30	2010FF-160-A	10.5	17.30	2010GG-160-A	16.85	10.5	20	12
8"	2010MM-180-A	21.5	12.5	2.5	2010FM-180-A	12.00	21.5	2010TM-180-A	11.5	20.80	2010FF-180-A	11.5	20.80	2010GG-180-A	21.14	11.5	25.5	14
10"	2010MM-200-A	25.4	14.75	2.5	2010FM-200-A	13.88	25.4	2010TM-200-A	13.0	25.00	2010FF-200-A	13.0	25.00	2010GG-200-A	25.20	13.0	31.8	16
12"	2010MM-220-A	28.8	14.88	2.5	2010FM-220-A	14.44	28.8	2010TM-220-A	14.0	28.30	2010FF-220-A	14.0	28.30	2010GG-220-A	28.46	14.0	38	16
14"	2010MM-240-A	36.1	17	3.5	2010FM-240-A	16.50	36.1	2010TM-240-A	15.0	32.87	2010FF-240-A	15.0	32.87	-	-	-	45	22
16"	2010MM-260-A	39.0	17	3.5	2010FM-260-A	16.50	39.0	2010TM-260-A	16.0	35.83	2010FF-260-A	16.0	35.83	-	-	-	51	22
18"	2010MM-280-A	41.34	17	3.5	-	-	-	-	-	-	2010FF-280-A	17.0	41.00	-	-	-	57.5	22
20"	2010MM-300-A	44.09	18	3.5	-	-	-	-	-	-	2010FF-300-A	18.0	44.00	-	-	-	42	24
24"	2010MM-340-A	50.79	20	3.5	-	-	-	-	-	-	2010FF-340-A	20.0	50.79	-	-	-	50.8	30



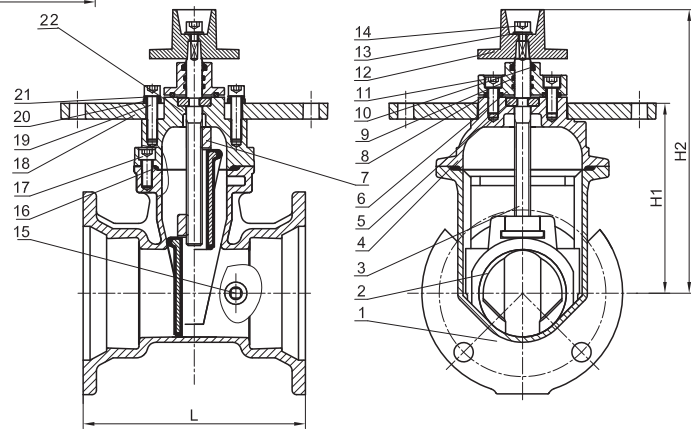
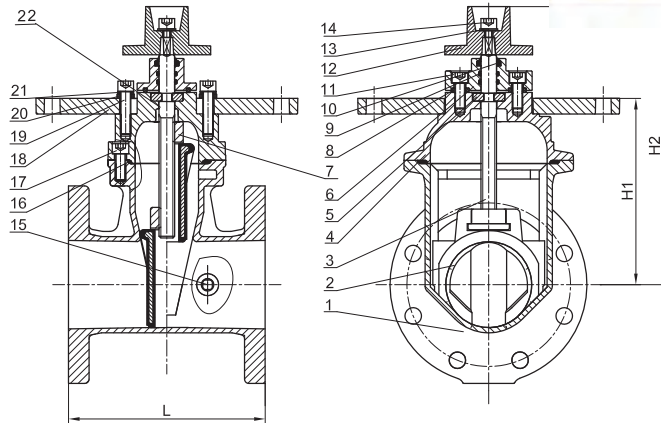
WARNING: This product can expose you to chemicals including lead, which is known to the State of California to cause cancer and birth defects or other reproductive harm. For more information go to www.P65Warnings.ca.gov.



United Water Products
 5355 Ramona Blvd., Jacksonville, FL 32205
 TEL. 877-766-4459 FAX: 877-766-4458
 Website: www.unitedwaterproducts.com

**AWWA C515
Resilient Seat
POST INDICATOR
GATE VALVES**

**Model 2010-PIV
Non Rising Stem (3"-12")**



Available:
Flange Ends
MJ x MJ Ends

Description:

1. Conforms to AWWA C515
2. MJ dimensions conform to AWWA C111/A21.11
3. Flange drilling to ANSI 125/150.
4. Fusion Bond Epoxy Coated Interior and Exterior to AWWA C550 Standard.
5. Compatible with all industry standard Vertical Indicator Posts. NFPA 24.
7. Working Pressure: 2"-12" - 300 psi
8. Temperature: -10°C (-14°F) to 120°C (248°F)

MATERIAL LIST

ITEM NO.	DESCRIPTION	MATERIAL	No.	DESCRIPTION	MATERIAL
1	Body	Ductile Iron ASTM A536 65-45-12	12	Wrench Nut	Ductile Iron ASTM A536 65-45-12
2	Wedge	EPDM Encapsulated DI	13	Washer	SS ASTM 304
3	Stem	SS AISI 304	14	Hex Socket Cap Screw	ASTM SS304 GR 8.8
4	Bonnet	Ductile Iron ASTM A536 65-45-12	15	Plug	SS ASTM 304
5	Thrust Collar	Bronze ASTM C51100	16	Gasket	EPDM
6	Gland	Ductile Iron ASTM A536 65-45-12	17	Hex Socket Cap Screw	ASTM SS304 GR 8.8
7	Disc Nut	ASTM B62	18	Post Flange	Ductile Iron ASTM A536 65-45-12
8	Seat Ring	EPDM	19	Hex Socket Cap Screw	ASTM SS304 GR 8.8
9	O-Ring	EPDM	20	Washer	Carbon Steel
10	Dust Proof Cover	EPDM	21	Lock Washer	Carbon Steel
11	Hex Socket Cap Screw	ASTM SS304 GR 8.8	22	O-Ring	EPDM

Design and materials are subject to change without notice.

DIMENSIONAL DATA

Dimensions in inches

Size	Part No. (MJ x MJ)	L	H1	H2	Post Flange	Part No. (FL x FL)	L	H1	H2	Post Flange	No. of Turns to Open
3"	2010MM-PIV-130	9.5	7.59	12.00	12	2010FF-PIV-130	8	7.59	12.00	12	16
4"	2010MM-PIV-140	10	8.54	12.75	12	2010FF-PIV-140	9	8.54	12.75	12	20
6"	2010MM-PIV-160	11.5	12.28	16.84	12	2010FF-PIV-160	10.5	12.28	16.84	12	30
8"	2010MM-PIV-180	12.5	15.62	21.13	12	2010FF-PIV-180	11.5	15.62	21.13	12	20
10"	2010MM-PIV-200	14.75	19.36	25.18	12	2010FF-PIV-200	13	19.36	25.18	12	25
12"	2010MM-PIV-220	14.88	22.74	28.45	12	2010FF-PIV-220	14	22.74	28.45	12	30



WARNING: This product can expose you to chemicals including lead, which is known to the State of California to cause cancer and birth defects or other reproductive harm. For more information go to www.P65Warnings.ca.gov.



United Water Products
5355 Ramona Blvd., Jacksonville, FL 32205
TEL. 877-766-4459 FAX: 877-766-4458
Website: www.unitedwaterproducts.com

**AWWA C515
Resilient Seat
POST INDICATOR
GATE VALVES**

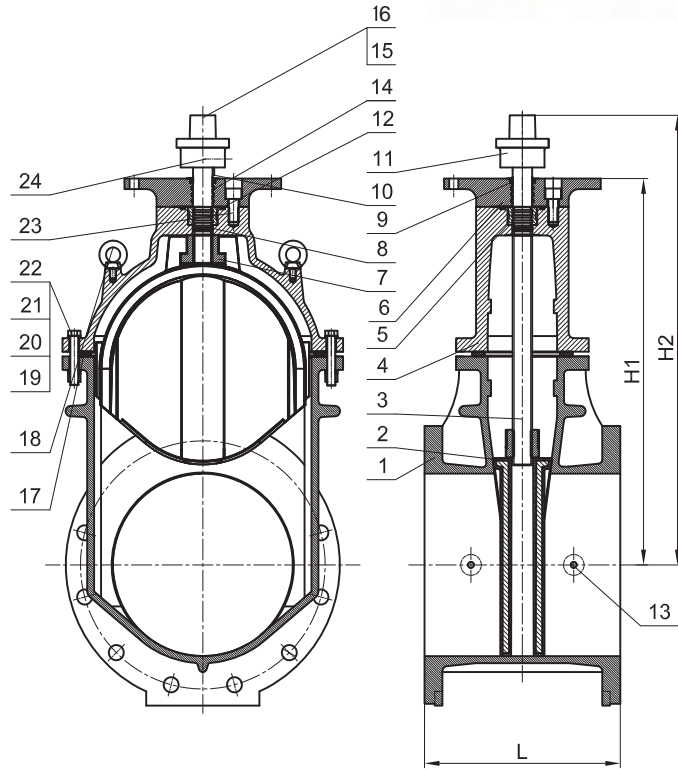
**Model 2010-PIV
Non Rising Stem (14"-24")**



Available:
Flange Ends

Description:

1. Conforms to AWWA C515
2. MJ dimensions conform to AWWA C111/A21.11
3. Flange drilling to ANSI 125/150.
4. Fusion Bond Epoxy Coated Interior and Exterior to AWWA C550 Standard.
5. Compatible with all industry standard Vertical Indicator Posts. NFPA 24.
7. Working pressure: 14" - 18" - 250 psi
20" & 24" - 200 psi
8. Temperature: -10°C (-14°F) to 120°C (248°F)



MATERIAL LIST

ITEM NO.	DESCRIPTION	MATERIAL	ITEM NO.	DESCRIPTION	MATERIAL
1	Body	Ductile Iron, ASTM A536 65-45-12	13	Square Pipe Plug	ASTM SS 304
2	Seat Rubber Coating	EPDM	14	O-Ring	EPDM
3	Shaft	AISI SS 304	15	Spring Washer	ASTM SS 304
4	Cover	Ductile Iron, ASTM A536 65-45-12	16	Hex Cylinder Head Screw	ASTM SS304 GR 8.8
5	Split Ring	ASTM B62 C83600	17	Gasket	EPDM
6	Seal Seat	Ductile Iron, ASTM A536 65-45-12	18	Lifting Bolt	Steel
7	Plate Nut	ASTM B62 C83600	19	Bolt	ASTM SS 304 GR 8.8
8	O-Ring	EPDM	20	Spring Washer	ASTM SS 304
9	Dust Cover	EPDM	21	Nut	ASTM SS 304
10	Key (A Type)	ASTM A1045	22	Washer	ASTM SS 304
11	Square Head	Ductile Iron, ASTM A536 65-45-12	23	Hex Cylinder Head Screw	ASTM SS 304 GR 8.8
12	O-Ring	EPDM	24	Allen Long Cylindrical Side Set Screws	ASTM SS 304 GR 8.8

Design and materials are subject to change without notice.

DIMENSIONAL DATA

Dimensions in inches

Size	Part No.	L	H1	H2	Post Plate	No. of Turns to Open
14"	2010FF-PIV-240	15	29.16	33.92	12	29
16"	2010FF-PIV-260	16	21.11	36.91	12	33.5
18"	2010FF-PIV-280	17	36.83	41.59	12	37.5
20"	2010FF-PIV-300	18	40.18	44.94	12	42
24"	2010FF-PIV-340	20	46.16	50.96	12	50



United Water Products
5355 Ramona Blvd., Jacksonville, FL 32205
TEL. 877-766-4459 FAX: 877-766-4458
Website: www.unitedwaterproducts.com