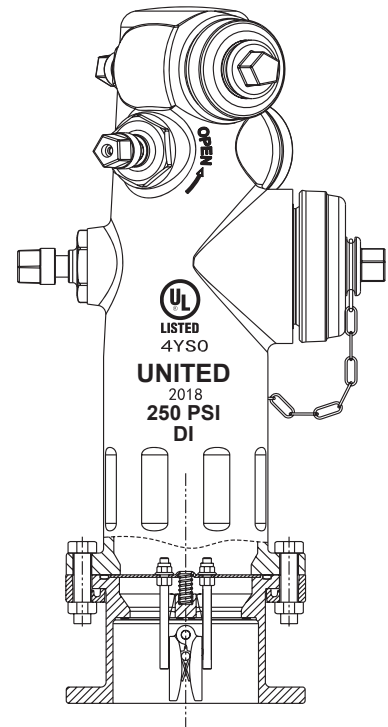
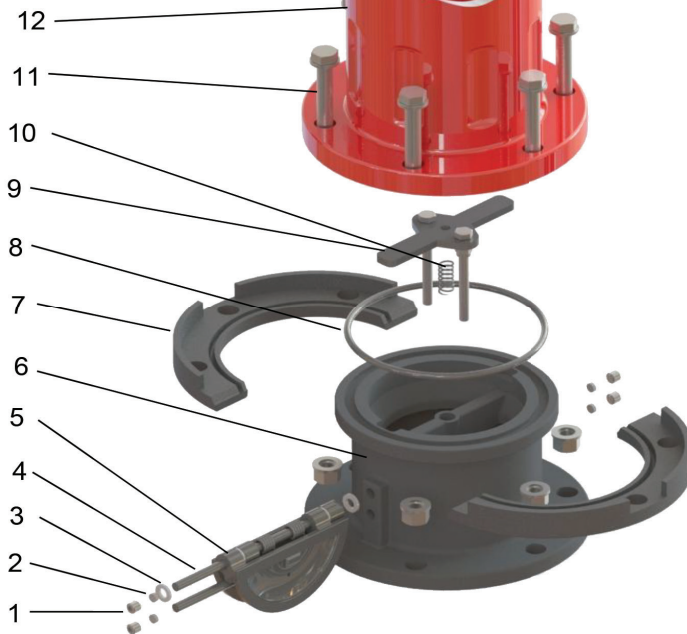
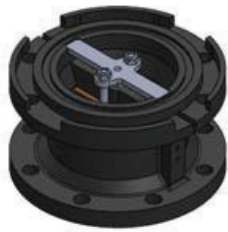


**DUAL DOOR
BREAK
CHECK VALVE**

**Model 8850
(For use with C503 Wet
Barrel Hydrant)**



MATERIAL LIST

Item No.	Description	Material
1	Plug	Stainless Steel ASTM A276 Grade 304
2	Rubber Gasket	Rubber ASTM D2000 NBR
3	Washer	Stainless Steel ASTM A276 Grade 304
4	Pin	Stainless Steel ASTM A276 Grade 304
5	Disc	Stainless Steel ASTM A276 Grade CF8
6	Body	Ductile Iron ASTM A536 65-45-12
7	Breakaway Flange	Cast Iron ASTM A126 Class B
8	O-Ring	Rubber ASTM D2000 NBR
9	Retainer Plate	Stainless Steel ASTM A276 Grade 304
10	Spring	Stainless Steel ASTM A276 Grade 304
11	Bolts and Nuts	Stainless Steel ASTM A276 Grade 304
12	Hydrant	Ductile Iron ASTM A536 65-45-12

Design and materials are subject to change without notice.



WARNING: This product can expose you to chemicals including lead, which is known to the State of California to cause cancer and birth defects or other reproductive harm. For more information go to www.P65Warnings.ca.gov.

Flange Drilling

- 10 - ANSI 125, 8 hole
 - 20 - California, ANSI 125, 6 hole
 - 30 - San Diego, ANSI 125 special 6 hole
- Add suffix 10, 20 or 30 to part number for drilling type.

Description:

1. For use with C503 Wet Barrel Fire Hydrant
2. Coated inside and outside
3. Working Pressure: 250 psi
4. Temperature: -10°C (14°F) to -80°C (-112°F)



United Water Products
8710 Air Park West Drive, Charlotte, NC 28214
TEL. 401-250-3800
Website: www.unitedwaterproducts.com