

**AWWA C515-09**  
Resilient Seat  
GATE VALVES

**Model 2030-Series B**  
**OS&Y**



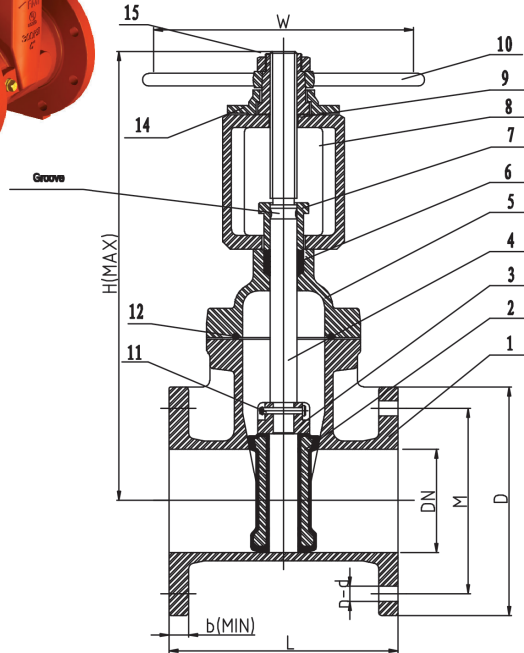
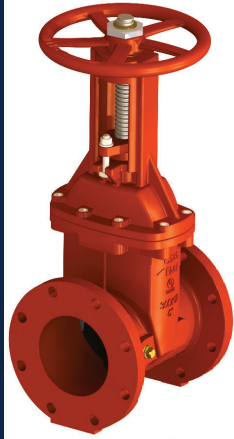
**MATERIAL LIST**

Item No.	Description	Material
1	Body	Ductile Iron, ASTM A536 65-45-12
2	Resilient Wedge	EPDM Encapsulated DI
3	Wedge Nut	Bronze C86500 (C95200 available for Seawater)
4	Stem	Stainless Steel AISI 304 (SS316 available for Seawater)
5	Bonnet	Ductile Iron, ASTM A536 65-45-12
6	Packing	Flexible Graphite
7	Gland	Ductile Iron, ASTM A536 65-45-12
8	Yoke	Ductile Iron, ASTM A536 65-45-12
9	Stem Nut	Brass ASTM B124 C37700
10	Handwheel	Ductile Iron, ASTM A536 65-45-12
11	Pin	Stainless Steel
12	Bonnet Gasket	EPDM
13	Bonnet / Gland Bolt	Stainless Steel AISI 304
14	Yoke Gland	Ductile Iron, ASTM A536 65-45-12
15	Handwheel Nut	Zinc Coated D.I., ASTM A536 65-45-12

Design and materials are subject to change without notice.

**Description:**

1. Conforms to MSS SP-70, AWWA C515-09
2. Flange drilling to ANSI 125/150
3. Working Pressure: 250 psi
4. Suitable medium: Water and Neutral liquid
5. Working temperature: EPDM  $\leq 120^{\circ}\text{C}$
6. Fusion bonded epoxy coated interior and exterior to AWWA C550.
7. UL rated @ 250 psi
8. Sizes 2"~16", FM rated @ 250 psi



**DIMENSIONAL DATA**

Dimensions in inches

Size	Part No.	L	H	D	M	b	n-d	Bolt Dia. & Length	Hand-wheel $\varnothing$
2"	2030B-FF-120	7.00	14.96	6.00	4.75	5/8	4 - 3/4	5/8 x 2-1/2	7.87
2-1/2"	2030B-FF-125	7.50	16.57	7.00	5.50	11/16	4 - 3/4	5/8 x 2-1/2	7.87
3"	2030B-FF-130	8.00	17.52	7.50	6.00	3/4	4 - 3/4	5/8 x 2-1/2	9.84
4"	2030B-FF-140	9.00	21.65	9.00	7.50	15/16	8 - 3/4	5/8 x 3	11.02
6"	2030B-FF-160	10.50	26.38	11.00	9.50	1	8 - 7/8	3/4 x 3-1/2	13.78
8"	2030B-FF-180	11.50	31.89	13.50	11.75	1-1/8	8 - 7/8	3/4 x 3-1/2	15.75
10"	2030B-FF-200	13.00	38.46	16.00	14.25	1-3/16	12 - 1	7/8 x 4	17.72
12"	2030B-FF-220	14.00	42.83	19.00	17.00	1-1/4	12 - 1	7/8 x 4	21.26
14"	2030B-FF-240	15.00	52.09	21.00	18.75	1-3/8	12 - 1-1/8	1 x 4-1/2	23.62
16"	2030B-FF-260	16.00	57.91	23.50	21.25	1-7/16	16 - 1-1/8	1 x 4-1/2	23.62
18"	2030B-FF-280	17.00	63.07	25.00	22.75	1-9/16	16 - 1-1/4	1-1/8 x 5	23.62
20"	2030B-FF-300	18.00	68.9	27.50	25.00	1-11/16	20 - 1-1/4	1-1/8 x 5	29.53
24"	2030B-FF-340	20.00	78.86	32.00	29.50	1-7/8	20 - 1-3/8	1-1/4 x 5-1/2	29.53



**WARNING:** This product can expose you to chemicals including lead, which is known to the State of California to cause cancer and birth defects or other reproductive harm. For more information go to [www.P65Warnings.ca.gov](http://www.P65Warnings.ca.gov).



**United Water Products**  
8710 Air Park West Drive, Charlotte, NC 28214  
TEL. 401-250-3800  
Website: [www.unitedwaterproducts.com](http://www.unitedwaterproducts.com)