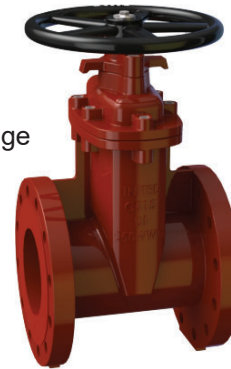
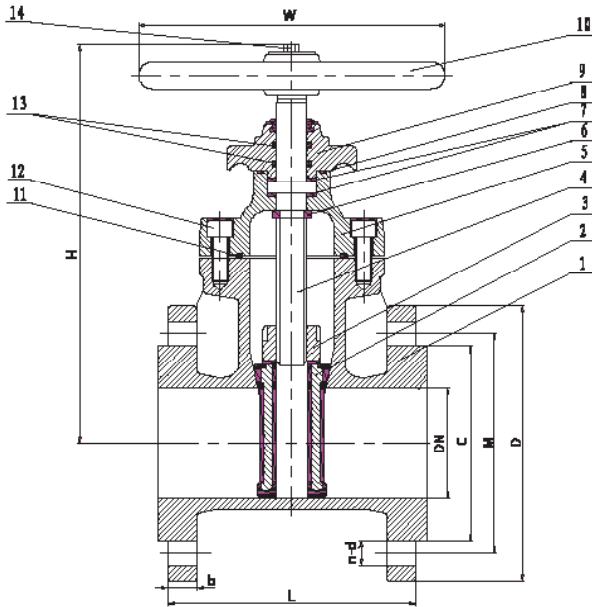


**AWWA C509/C515-09  
Resilient Seat  
GATE VALVES**

**Model 1510  
ANSI 250/300 Flanged Ends, NRS**



**Available:**  
Flange x Flange  
(raised face)

**MATERIAL LIST**

No.	Description	Material/Specification
1	Body	Ductile Iron ASTM A536 65-45-12
2	Wedge	DI & EPDM.
3	Wedge Nut	Brass C36000/C81900
4	Stem	420 Stn. Stl.
5	Bonnet	Ductile Iron ASTM A536 65-45-12
6	O-Ring	NBR
7	Split Ring (Stem)	Nylon 6/Brass
8	O-Rings	NBR
9	Glad	Ductile Iron ASTM A536 65-45-12
10	Handwheel	Ductile Iron ASTM A536 65-45-12
11	Seal Ring	NBR
12	Bolts	304 Stn. Stl.
13	O-Ring	NBR
14	Bolt	304 Stn. Stl.

Design, dimensions and materials are subject to change without notice.

**Description:**

1. Conforms to AWWA C509/C515-09
2. Flanged ends are extra heavy conforming to ANSI B16.1 Class 250/300 (raised face).
3. Fusion Bond Epoxy Coated Interior and Exterior, AWWA C550. Epoxy Powder Certified to NSF-61.
4. 2" square nut or optional handwheel at customer's request.
5. Open right valves supplied with red operating nut.
6. Temperature: 2°C (35°F) to 82°C (180°F)
7. Working Pressure:  
2"~16" - 250 psi  
18"~24" - 200 psi

**DIMENSIONAL DATA**



Size	Part No.	L	H	M	D	C	W	n-d	b
2"	1510FF-120	7.00	10.63	5.00	6.50	4.17	7.09	8-0.75	0.88
2-1/2"	1510FF-125	7.50	11.14	5.87	7.52	4.92	7.09	8-0.87	1.00
3"	1510FF-130	8.00	12.24	6.61	8.27	5.67	7.87	8-0.87	1.10
4"	1510FF-140	9.00	13.86	7.87	10.00	6.93	9.84	8-0.87	1.25
5"	1510FF-150	10.00	17.13	9.25	10.98	8.31	11.02	8-0.87	1.38
6"	1510FF-160	10.50	19.09	10.63	12.52	9.69	12.60	12-0.87	1.44
8"	1510FF-180	11.50	20.47	12.99	15.00	11.93	13.78	12-0.98	1.63
10"	1510FF-200	13.00	24.88	15.24	17.52	14.06	15.75	16-1.14	1.87
12"	1510FF-220	14.00	29.33	17.76	20.51	16.46	17.72	16-1.26	2.00
14"	1510FF-240	15.00	32.87	20.24	22.99	18.94	19.69	20-1.26	2.13
16"	1510FF-260	16.00	37.52	22.52	25.51	21.06	21.65	20-1.38	2.25
18"	1510FF-280	17.00	41.34	24.76	27.99	23.31	23.62	24-1.38	2.38
20"	1510FF-300	18.00	45.67	27.01	30.51	25.55	29.53	24-1.38	2.50
24"	1510FF-340	20.00	56.89	32.01	35.98	30.24	29.53	24-1.61	2.75

Dimensions in inches



**WARNING:** This product can expose you to chemicals including lead, which is known to the State of California to cause cancer and birth defects or other reproductive harm. For more information go to [www.P65Warnings.ca.gov](http://www.P65Warnings.ca.gov).



**United Water Products**  
8710 Air Park West Drive, Charlotte, NC 28214  
TEL. 401-250-3800  
Website: [www.unitedwaterproducts.com](http://www.unitedwaterproducts.com)