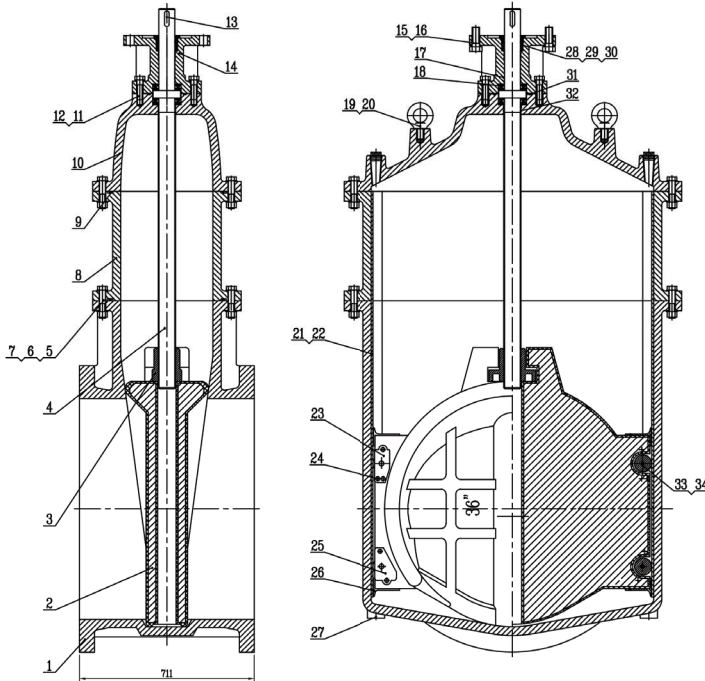


AWWA C509 Resilient Seat GATE VALVES

Model 1310 Large Diameter - Non Rising Stem



MATERIAL LIST



No.	Description	Material/Specification
1	Body	DI, ASTM A536 65-45-12
2	Wedge	EPDM Encapsulated DI
3	Stem Nut	Bronze, ASTM B62 C83600
4	Stem	Stainless Steel, AISI 431
5	Bolts	Stainless Steel, AISI 304
6	Nuts	Stainless Steel, AISI 304
7	Washer	Stainless Steel, AISI 304
8	Connector	DI, ASTM A536 65-45-12
9	Gasket	EPDM/BUNA
10	Bonnet	DI, ASTM A536 65-45-12
11	Bolt	Stainless Steel, AISI 304
12	Washer	Stainless Steel, AISI 304
13	Key	Steel
14	Gland	DI, ASTM A536 65-45-12
15	Bolt	Stainless Steel, AISI 304
16	Washer	Stainless Steel, AISI 304
17	O-ring	EPDM/BUNA
18	Bearing	Bearing Steel
19	Eye Bolt	Zinc Plated Carbon Steel
20	Washer	Stainless Steel, AISI 304
21	Guide	Stainless Steel
22	Screw	Stainless Steel
23	Clamp	Stainless Steel
24	Screw	Stainless Steel
25	Clamp	Stainless Steel
26	Scraper	Brass
27	Plug	Brass
28	Y Seal Ring	NBR
29	Screw	Stainless Steel
30	Packing Gland	Steel
31	O-ring	EPDM/BUNA
32	O-ring	EPDM/BUNA
33	Wheel Axle	Stainless Steel
34	Wheel	Stainless Steel

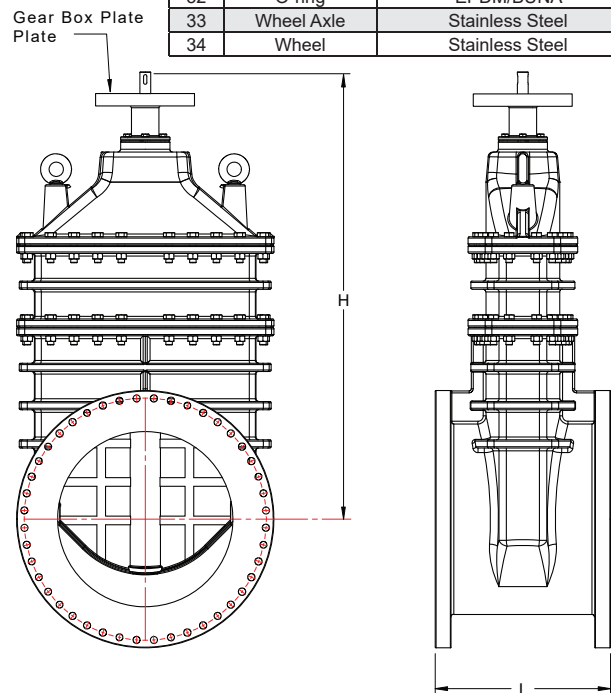
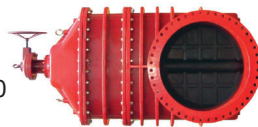
DIMENSIONAL DATA

Size	Part No. (FI x FI)	Part No. (MJ x MJ)	H (FI)	L (FI)	ISO Top FLange	Approx. Wgt.
30"	1310FF-400	1310MM-400	60	24	F30	4,740
36"	1310FF-460	1310MM-460	61	26	F35	7,937
42"	1310FF-520	1310MM-520	71	28	F35	14,330
48"	1310FF-580	1310MM-580	83	44	F35	16,535
54"	1310FF-640	1310MM-640	119	42	F35	22,046

Dimensions in inches

Description:

1. Conforms to AWWA C509, MSS-SP-70
2. Resilient seated
3. Non-rising stem
4. Superior stem packing with O-rings
5. Two bearings above and below the stem collar to reduce friction
6. Packing replaceable under pressure
7. High strength integral thrust collar
8. Available with bevel or spur gearbox
9. Can be installed in horizontal or vertical position
10. Flange dimensions conform to ANSI B16.1 Class 125
11. Mechanical Joint dimensions in accordance with AWWA C111
12. Fusion Bond Epoxy Coated Interior and Exterior
13. Working Temperature: -10°C (14°F) to 120°C (248°F)
14. Working Pressure: 150 psi
15. Rollers, tracks and scrapers for horizontal installation.
16. Face to face dimensions to ASME B16.10.



WARNING: This product can expose you to chemicals including lead, which is known to the State of California to cause cancer and birth defects or other reproductive harm. For more information go to www.P65Warnings.ca.gov.



United Water Products
8710 Air Park West Drive, Charlotte, NC 28214
TEL. 401-250-3800
Website: www.unitedwaterproducts.com