



**MATERIAL LIST**

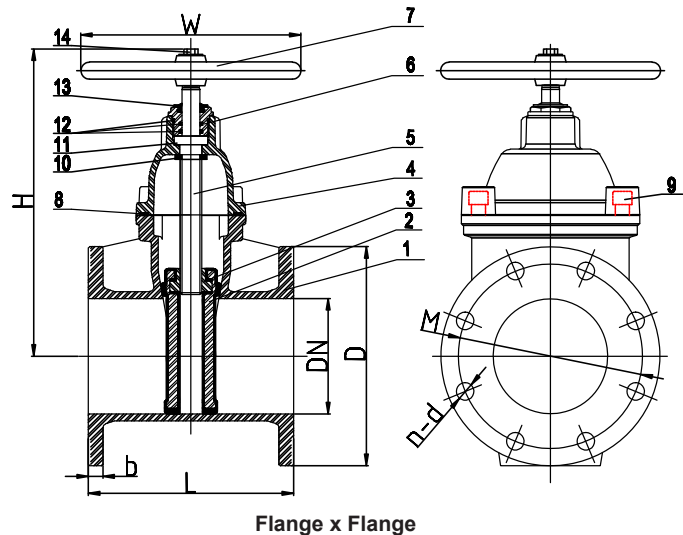
No.	DESCRIPTION	MATERIAL
1	Body	Ductile Iron ASTM A536 65-45-12
2	Wedge	NBR
3	Stem Nut	Brass
4	Bonnet	Ductile Iron ASTM A536 65-45-12
5	Stem	Stainless Steel AISI 420
6	Gland	Brass
7	Handwheel	Ductile Iron ASTM A536 65-45-12
8	Bonnet Gasket	NBR
9	Bolts	Galvanized Steel
10	O-Ring	NBR
11	Stem Bushing	Brass
12	O-Ring	NBR
13	Debris Cap	NBR
14	Handwheel/ Op. Nut Bolt	Stainless Steel AISI 304

Design, dimensions and materials are subject to change without notice.

**Available:**  
Flange x Flange

**Description:**

1. Conforms to MSS-SP-70 MSS-SP-128 (reference AWWA C515)
2. Fusion Bond Epoxy Coated Interior and Exterior, AWWA C550. Epoxy Powder to AWWA C550
3. Operator: Handwheel, 2" Operating Nut or Gearbox
4. Temperature: -4°F (-20°C) to 185°F (85°C)
5. Working Pressure:  
2"~16" - 250 psi
6. Flanged ends conform with ANSI B16.1 Class 125 Flat Faced.



**DIMENSIONAL DATA**

Size	Part No. (Flange x Flange)	L	H	D	M	b	n-d	W
2"	1010FF-120-N	7	9.3	6	4.7	0.7	4-3/4	5.9
3"	1010FF-130-N	8	11.8	7.5	6.0	0.7	4-3/4	7.9
4"	1010FF-140-N	9	13.6	9	7.5	0.7	8-3/4	10.8
6"	1010FF-160-N	10.5	17.2	11	9.5	0.7	8-7/8	10.8
8"	1010FF-180-N	11.5	21.1	13.5	11.8	0.8	8-7/8	13.8
10"	1010FF-200-N	13	24.7	16	14.3	0.9	12-1	15.7
12"	1010FF-220-N	14	28.1	19	17.0	1.0	12-1	19.7
14"	1010FF-240-N	15	30.8	21	18.7	1.0	12-1-1/4	22.0
16"	1010FF-260-N	16	35.2	23.5	21.2	1.1	16-1-1/4	22.0



**WARNING:** This product can expose you to chemicals including lead, which is known to the State of California to cause cancer and birth defects or other reproductive harm. For more information go to [www.P65Warnings.ca.gov](http://www.P65Warnings.ca.gov).