

MODEL 2010-B

Series B Resilient Seat Gate Valve; 2-12"



DESCRIPTION

- Conforms to AWWA C515-20
- MJ dimensions conform to AWWA C153
- Compatible with all industry standard Vertical Indicator Posts (NFPA 24)
- Full waterway valve
- Fusion Bond Epoxy Coated Interior and Exterior, AWWA C550. NSF-61 Certified
- 2" Square Operating Nut (Open left: Black; Open right: Red)
- Temperature: -20°C (-4°F) to 85°C (185°F)
- Working Pressure: 250 psi
- Flanged ends conform to ANSI B16.1 Class 125/ ANSI B16.5 Class 150. Metric PN10/PN16 drilling is available upon request.
- Flanged: UL: 2.5-20"; FM: 2-16"
- Mechanical Joint: UL: 3-18"; FM: 2-16"

Material List (2-12")

NO.	DESCRIPTION	ASTM SPEC.
1	Body	Ductile Iron ASTM A536 65-45-12
2	Wedge	Ductile Iron (Encapsulated NBR)
3	Wedge Nut	Bronze C86500 (C95200 Available)
4	Stem	Stainless Steel AISI 304 (316 Available)
5	Bonnet	Ductile Iron ASTM A536 65-45-12
6	Wedge Nut Gasket	NBR/EPDM
7	Stem Bushing	Nylon/Brass ASTM B124 C37700
8	O-Ring	NBR/EPDM
9	Gland	Ductile Iron ASTM A536 65-45-12
10	Operating Nut	Ductile Iron ASTM A536 65-45-12
11	Bonnet Gasket	NBR/EPDM
12	Bonnet/Gland Bolt	Stainless Steel AISI 304
13	Debris Cap	NBR/EPDM
14	Operating Nut Bolt	Stainless Steel AISI 304



WARNING: This product can expose you to chemicals including lead, which is known to the State of California to cause cancer and birth defects or other reproductive harm. For more information go to www.P65Warnings.ca.gov.

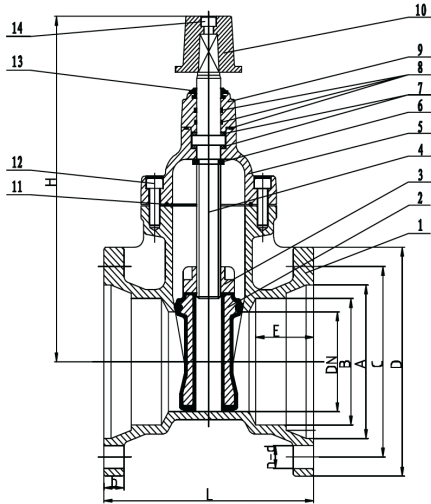
Material List (14" - 24")

NO.	DESCRIPTION	ASTM SPEC.
1	Body	Ductile Iron ASTM A536 65-45-12
2	Wedge/Gate	NBR
3	Gate (Stem) Nut	Bronze ASTM B62 C83600
4	Bonnet	Ductile Iron ASTM A536 65-45-12
5	Stem	Stainless Steel
6	Top Flange ISO 5211	Ductile Iron ASTM A536 65-45-12

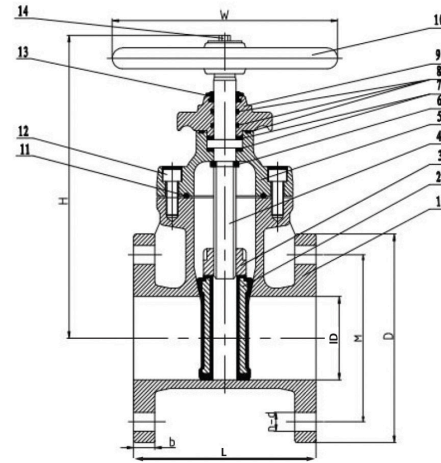
Design, dimensions, and materials are subject to change without notice.

MODEL 2010-B | Series B Resilient Seat Gate Valve; 2-12"

MJ x MJ



FL x FL



Dimensional Data (MJ x MJ; 3-12")

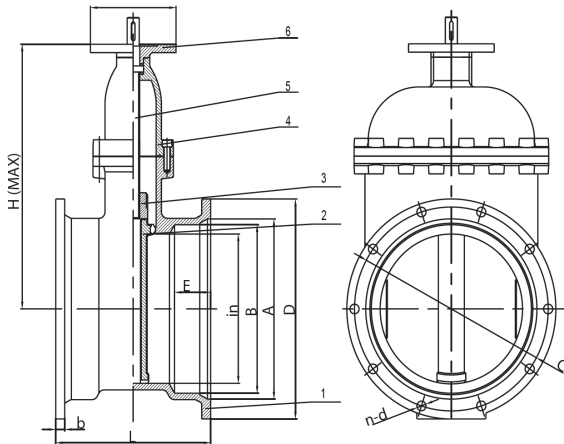
SIZE	PART NO.	L	H	C	D	b	n-d	A	E	B
3"	2010-B-MM-130	8.0	11.14	6.19	8	0.75	4-0.75	4.94	2.50	4.00
4"	2010-B-MM-140	9.0	13.82	7.50	9	0.75	4-0.88	6.02	2.50	5.00
6"	2010-B-MM-160	10.5	17.83	9.50	11	0.75	6-0.88	8.13	2.50	7.00
8"	2010-B-MM-180	11.5	22.00	11.63	13	0.87	6-0.88	10.28	2.50	9.15
10"	2010-B-MM-200	13.0	26.30	14.00	12	0.94	8-0.88	12.34	2.50	11.20
12"	2010-B-MM-220	14.0	29.65	16.26	18	1.00	8-0.88	14.45	2.50	13.31

Dimensional Data (FL x FL; 2-12")

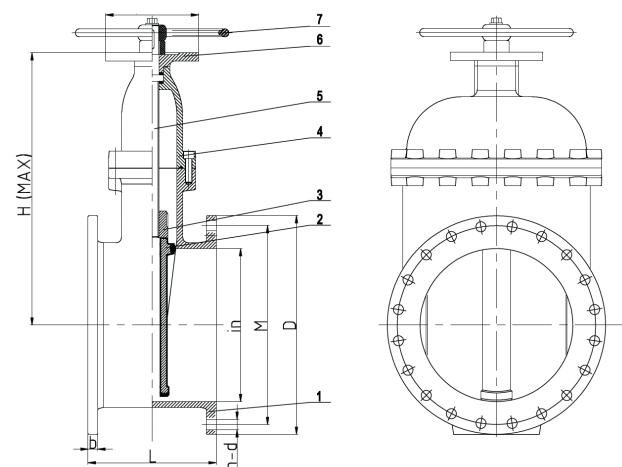
SIZE	PART NO.	L	H	M	D	b	n-d	W	TURNS TO OPEN
2"	2010-B-FF-120	7.0	9.6	4.7	6.0	0.63	4-0.75	7	6.5
2½"	2010-B-FF-125	7.5	10.2	5.5	7.0	0.70	4-0.75	7	8.5
3"	2010-B-FF-130	8.0	10.8	6.0	7.5	0.75	4-0.75	8	10.0
4"	2010-B-FF-140	9.0	13.1	7.5	9.0	0.75	8-0.75	10	14.0
6"	2010-B-FF-160	10.5	16.9	9.5	11.0	0.75	8-0.86	12	18.5
8"	2010-B-FF-180	11.5	21.0	11.8	13.5	0.87	8-0.86	14	24.5
10"	2010-B-FF-200	13.0	25.4	14.3	16	0.93	12-1.00	16	30.5
12"	2010-B-FF-220	14.0	28.9	17.0	19	1.00	12-1.00	20	36.5

MODEL 2010-B | Series B Resilient Seat Gate Valve; 2-12"

MJ x MJ



FL x FL



Dimensional Data (MJ x MJ; 14" - 24")

SIZE	PART NO.	L	H	C	D	n-d	b	A	E	B	ISO FLANGE	MAX CLOSING TORQUE	URNS TO OPEN
14"	2010-B-MM-240	15	36.14	18.75	20.59	10 - 7/8	1.00	16.56	3.5	15.45	F16	13.78	45.0
16"	2010-B-MM-260	16	38.39	21.00	22.83	12 - 7/8	1.00	18.66	3.5	17.55	F16	15.75	51.0
18"	2010-B-MM-280	17	42.01	23.25	25.12	12 - 7/8	1.00	20.75	3.5	19.65	F16	17.72	57.5
20"	2010-B-MM-300	18	47.20	25.50	27.36	14 - 7/8	1.13	22.85	3.5	21.75	F16	19.69	43.0
24"	2010-B-MM-340	20	53.66	30.00	31.89	16 - 7/8	1.19	27.05	3.5	25.94	F16	23.62	51.5

Dimensional Data (FL x FL; 14" - 24")

SIZE	PART NO.	L	H	M	D	n-d	b	ISO FLANGE	MAX CLOSING TORQUE	URNS TO OPEN
14"	2010-B-FF-240	15	35.75	18.74	20.98	12 - 1/8	1.00	F16	13.78	45.0
16"	2010-B-FF-260	16	37.99	21.24	23.50	16 - 1/8	1.00	F16	15.75	51.0
18"	2010-B-FF-280	17	41.61	22.76	25.00	16 - 1/4	1.00	F16	17.72	57.5
20"	2010-B-FF-300	18	46.85	25.00	27.52	20 - 1/4	1.13	F16	19.69	43.0
24"	2010-B-FF-340	20	53.66	29.51	32.01	20 - 1/8	1.19	F16	23.62	51.5