

AWWA C515-09
Resilient Seat
GATE VALVES

Model 2030FF-XH
(Formally 2530)
ANSI 250/300 Flanged Ends, OS&Y

UNITED

MATERIAL LIST

ITEM NO.	DESCRIPTION	MATERIAL
1	Handwheel	Ductile Iron, ASTM A536 65-45-12
2	Stem Nut/Yoke Nut	C67400/HPb59-1
3	Packing	Graphite - Non-asbestos
4	Gasket	EPDM
5	Bonnet	Ductile Iron, ASTM A536 65-45-12
6	Stem	AISI 420, 304, 315 Stainless Steel (2"~12")
7	Wedge Nut	AISI 304 Stainless Steel
8	Wedge	Ductile Iron, ASTM A536 w/EPDM Coating
9	Body	Ductile Iron, ASTM A536 65-45-12
10	Test Plug	Brass, C36000

Design and materials are subject to change without notice.

Description:

1. Conforms to AWWA C515-09.
2. Epoxy coated inside and outside to AWWA C550.
3. Working Pressure:
UL/FM rated working pressure: 2"~12" - 300 psi
4. Temperature: -23°C (-10°F) to 110°C (230°F)
5. Flange drilling to ANSI 250/300. Metric PN25 drilling is available upon request (raised face).

DIMENSIONAL DATA

Dimensions in inches

Size	Part No. (Flanged)	L	D	Approx. Wgt.
2"	2030FF-XH-120	7	7-1/8	44
2-1/2"	2030FF-XH-125	7-1/2	7-1/4	44
3"	2030FF-XH-130	8	10	55
4"	2030FF-XH-140	9	10	66
5"	2030FF-XH-150	10	12	88
6"	2030FF-XH-160	10-1/2	12	110
8"	2030FF-XH-180	11-1/2	14	170
10"	2030FF-XH-200	13	17-1/2	265
12"	2030FF-XH-220	14	17-1/2	375
16"	2030FF-XH-260	16	21	500



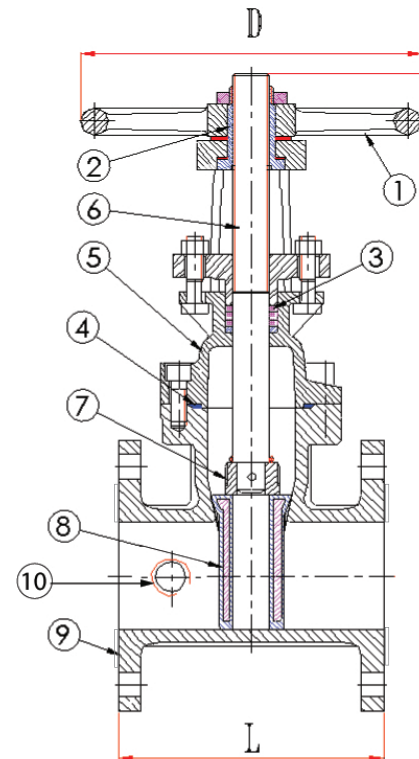
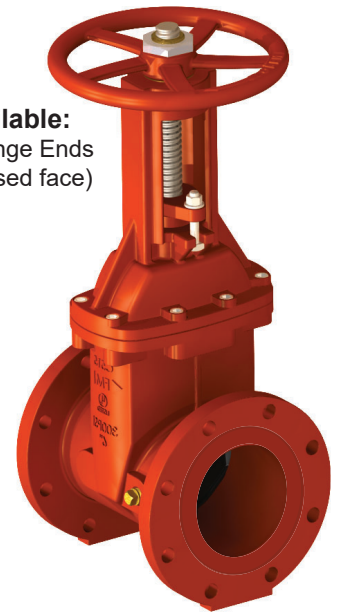
APPROVED



LISTED



Available:
Flange Ends
(raised face)



Flanged



WARNING: This product can expose you to chemicals including lead, which is known to the State of California to cause cancer and birth defects or other reproductive harm. For more information go to www.P65Warnings.ca.gov.

UNITED Water Products

United Water Products
5355 Ramona Blvd., Jacksonville, FL 32205
TEL: 877-766-4459 FAX: 877-766-4458
Website: www.unitedwaterproducts.com

0419