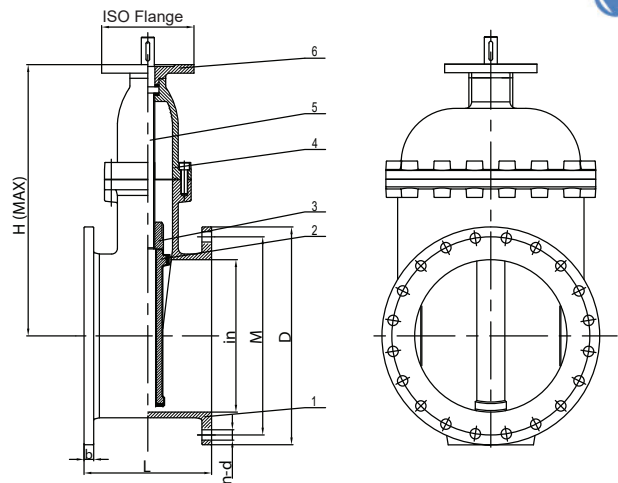
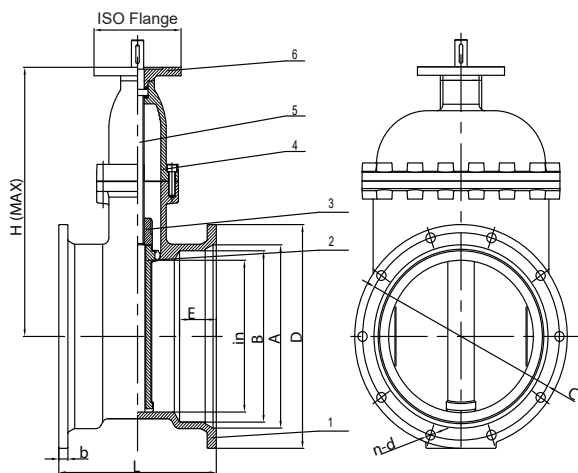


AWWA C515-09 Resilient Seat GATE VALVES

Model 1010-T-FF & 1010-T-MM with ISO Top Mounting Flange



Available:

MJ x MJ
Flange x Flange

Options:

1. Handwheel
2. 2" Operating Nut
3. Manual Gear Operator

Description:

1. Conforms to AWWA C515, MSS-SP-70 & MSS-SP-128
2. Fusion Bond Epoxy Coated Interior and Exterior, AWWA C550. Epoxy Powder Certified to NSF-61.
3. Furnished with ISO 5211 F16 top flange for mounting actuators.
4. Temperature: 2°C (35°F) to 82°C (180°F)
5. Working Pressure:
14"~24" - 250 psi
6. Flanged ends conform with ANSI B16.1 Class 125 Flat Faced.

LIST OF MATERIALS

Item No.	Description	Material/Specification
1	Body	Ductile Iron, ASTM A536 65-45-12
2	Wedge/Gate	NBR
3	Gate (Stem) Nut	Bronze ASTM B62 (C83600)
4	Bonnet	Ductile Iron, ASTM A536 65-45-12
5	Stem	431 Stainless Steel
6	Top Flange ISO 5211	Ductile Iron, ASTM A536 65-45-12

Design and materials are subject to change without notice.

DIMENSIONS (MJ)

Nominal Size	Part No.	L	H	C	D	n-d	b	A	E	B	ISO Flange	Max. Closing Torque	Turns to Open
14"	1010-T-MM-240	17.00	36.14	18.75	20.59	10 - 7/8	1.00	16.56	3.50	15.45	F16	13.78	45
16"	1010-T-MM-260	17.00	38.39	21.00	22.83	12 - 7/8	1.00	18.66	3.50	17.55	F16	15.75	51
18"	1010-T-MM-280	17.00	42.01	23.25	25.12	12 - 7/8	1.00	20.75	3.50	119.65	F16	17.72	57.5
20"	1010-T-MM-300	18.00	47.20	25.50	27.36	14 - 7/8	1.13	22.85	3.50	21.75	F16	19.69	43
24"	1010-T-MM-340	20.00	53.66	30.00	31.89	16 - 7/8	1.19	27.05	3.50	25.94	F16	23.62	51.5

DIMENSIONS (Flanged)

Nominal Size	Part No.	L	H	M	D	n-d	b	ISO Flange	Max. Closing Torque	Turns to Open
14"	1010-T-FF-240	15.00	35.75	18.74	20.98	12 - 1-1/8	1.00	F16	13.78	45
16"	1010-T-FF-260	16.00	37.99	21.24	23.50	16 - 1-1/8	1.00	F16	15.75	51
18"	1010-T-FF-280	17.00	41.61	22.76	25.00	16 - 1-1/4	1.00	F16	17.72	57.5
20"	1010-T-FF-300	18.00	46.85	25.00	27.52	20 - 1-1/4	1.13	F16	19.69	43
24"	1010-T-FF-340	20.00	53.66	29.51	32.01	20 - 1-3/8	1.19	F16	23.62	51.5



WARNING: This product can expose you to chemicals including lead, which is known to the State of California to cause cancer and birth defects or other reproductive harm. For more information go to www.P65Warnings.ca.gov.



United Water Products
5355 Ramona Blvd., Jacksonville, FL 32205
TEL: 877-766-4459 FAX: 877-766-4458
Website: www.unitedwaterproducts.com